

ID-4 4 KEY COMPACT CONTROLLER

Art. nr: 14-924

NOTE: Do not install and/or operate this product unless you have read and understand all the safety information and instructions contained in this manual.

IMPORTANT!

This manual provides all the necessary information for your product to be properly and safely installed. Please read all instructions before installation, and make sure you follow them carefully during the installation process. Failure to follow these instructions may result in DAMAGE to the product or vehicle, and/or SERIOUS INJURY to you and your passengers!

Product Code	ID-4
Voltage	10-30 VDC
Output	0.2Amp per wire
IP Rating	IP65
Dimension	38 X 75.8 X 23.8 mm
Options	- Adjustable Arm Mount - Motorcycle Handle-Bar Clamp



Wiring Diagram	Button	Function	Amp
Röd ●	-	Positive	-
Svart ●	-	Negative	-
Gul ●	P1	Output	0.2A
Blå ●	P2	Output	0.2A
Lila ●	P3	Output	0.2A
Vit ○	P4	Output	0.2A

FUNCTIONS AND PROGRAMMING

Default - All buttons are default as ON/OFF Button

Momentary Switch Programming

Function To set function buttons as momentary switch

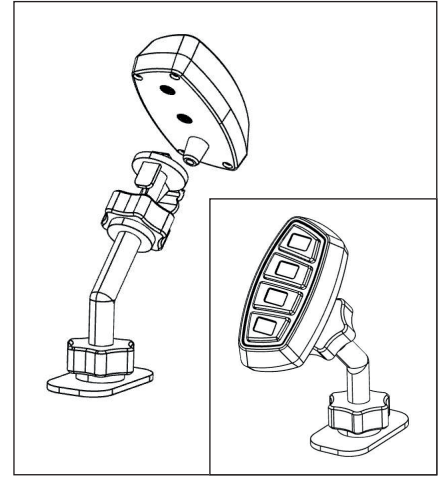
- Press P1 and P4 for 5 second to enter setting procedure. Red LED backlight will flash 3 times to indicate you have entered the setting mode.
- By entering the setting mode. All buttons will reset back to default as ON/OFF. (Red LED backlight on all buttons will turn into steady on indicate the buttons are now in ON/OFF)
- Press the selected button to enable or disable manual function. Red LED backlight on the button will indicate which function you have selected (indication shown as following)
- Press P1 and P4 for 5 second to exit the setting procedure. Red LED backlight will flash once to indicate you have exited the setting mode.

Adjustable Arm Mount

Installation:

Attach and secure the controller onto the panel stand. Place the device onto a clean desired surface, where it can be easily accessible to the user. Use the attached adhesive pad* to secure the device onto the surface. Should you wish to remove / re-locate the controller, you may use alcohol or similar cleaning formula to remove the left-over adhesive residue.

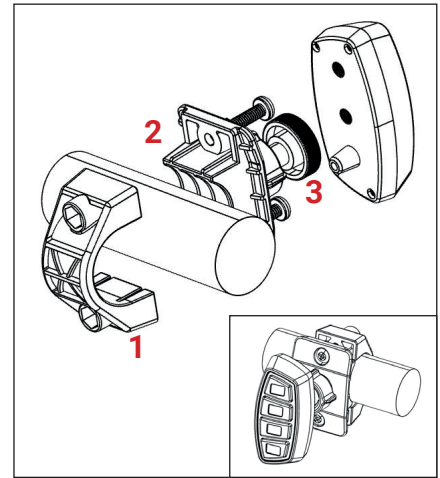
* The supplied adhesive pad is designed for one time use. You may replace it with other double side adhesive tapes.



Adjustable Arm Mount

Installation:

- Secure clamp mount part **3** onto the controller.
- Use the supplied screws to secure clamp mount part **1** and **2** onto your desired mounting location. Use the supplied rubber pad to help adjusting the grip and size of the mount.
- Insert clamp mount part **3** into part **2**. Adjust the angle and tighten the part.

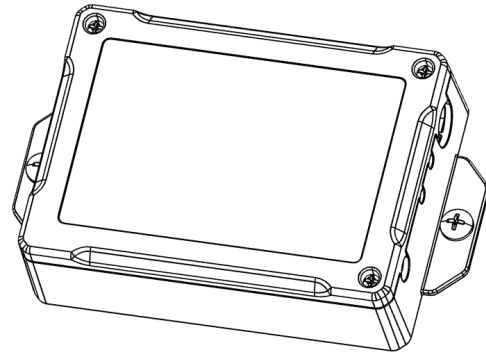


Manufacturer Limited Warranty Policy: Manufacturer warrants that on the date of purchase this product. This Limited Warranty extends for Thirty Six (36) months from the date of purchase. DAMAGE TO PARTS OR PRODUCTS RESULTING FROM TAMPERING, ACCIDENT, ABUSE, MISUSE, NEGLIGENCE, UNAPPROVED MODIFICATIONS, FIRE OR OTHER HAZARD; IMPROPER INSTALLATION OR OPERATION; OR NOT BEING MAINTAINED IN ACCORDANCE WITH THE MAINTENANCE PROCEDURES SET FORTH IN MANUFACTURER'S INSTALLATION AND OPERATING INSTRUCTIONS VOIDS THIS LIMITED WARRANTY.

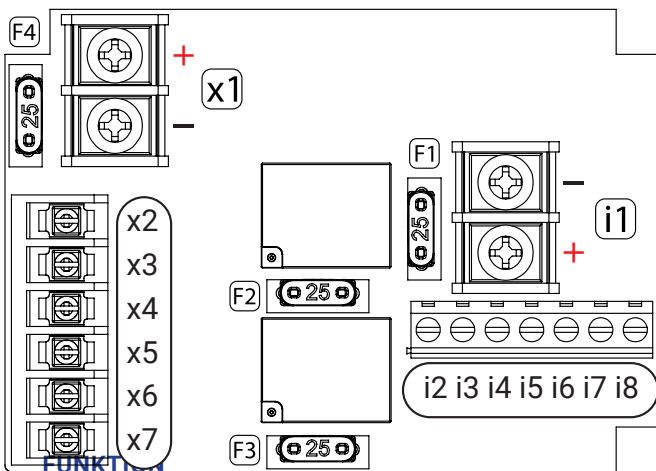
INSTALLATION MANUAL FS-6P RELAY BOX

NOTE: Do not install and/or operate this product unless you have read and understand all the safety information and instructions contained in this manual.

Input Voltage	12/24 V
Input @ 12V	20A x 1 (i1)
Output @ 12V	20A x1 (x1) 1A x1 (i2-i8) 5A x2 (x3-x4) 0,2A x1 (x5) Positiv/Negtiv x1 (x6-x7) Trigger at 0,2A x1
Working Temperature	-30°C to +65°C
Dimension	123,6 x 29,5 x 74,4 mm



DIAGRAM



I/O	Function	Linked	Amp (12V)	Fuse
i1	Input		20Amp	F1
i2	Plus		1Amp	
i3	Ground		-	
i4	Input	x3	-	
i5	Input	x4	-	
i6	Input	x5	-	
i7	Input	x6/x7	-	
i8	IGN		-	
x1	Output		20Amp	F4
x2	Ground		-	
x3	Output		5Amp	F2
x4	Output		5Amp	F3
x5	Output		0,2Amp	
TRI.+	"Common positive and negative"		0,2Amp	
TRI.-			-	

FUNCTION

TRI.+ / TRI.-	
Function	I/O TRI.+ / TRI.- Provides the convenient of sending botha positive and negative signal at the same time to its connected devices.
Setting	- Connect your desired input signal to I/O i7. - I/O i7 will now activate TRI.+ / TRI.- when enabled.

Warning! Proper placement and installation of this product are vital for it to operate at its optimum efficiency. It is your responsibility to determine a suitable mounting location for the product so as to ensure the safety of all passengers onboard. Do not install this product or route any wires within the airbag deployment area of your vehicle as it may damage or reduce the effectiveness of the airbag. In worst-case scenario, it may even become a projectile that could cause serious injury or death. Before installation, please refer to the manual of your vehicle and avoid insalling it within the airbag deployment area.

Manufacturer Limited Warranty Policy: Manufacturer warrants that on the date of purchase this product. This Limited Warranty extends for Twelve (12) months from the date of purchase. DAMAGE TO PARTS OR PRODUCTS RESULTING FROM TAMPERING, ACCIDENT, ABUSE, MISUSE, NEGLIGENCE, UNAPPROVED MODIFICATIONS, FIRE OR OTHER HAZARD; IMPROPER INSTALLATION OR OPERATION; OR NOT BEING MAINTAINED IN ACCORDANCE WITH THE MAINTENANCE PROCEDURES SET FORTH IN MANUFACTURER'S INSTALLATION AND OPERATING INSTRUCTIONS VOIDS THIS LIMITED WARRANTY.

HBA

Tel. 08-880 900 - info@hba.nu - www.hba.nu